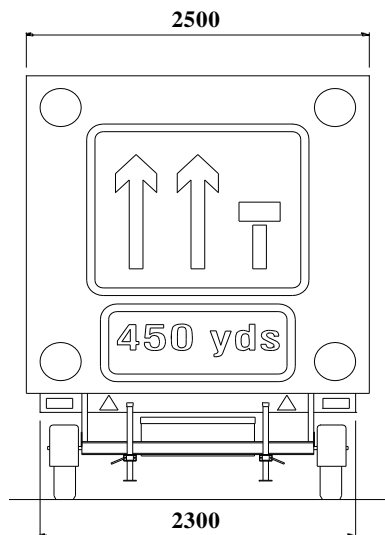


HWT 750 Mobile Lane Closure Trailer



Technical Data

Max. GVW	750 kgs
Axle:	Single unbraked axle with maintenance free rubber suspension
Wheels and tyres:	4.5J x 13 wheels with 145R13 tyres
Road lighting:	Full road lighting with 7 pin plug connection
Voltage:	12V or 24V
Coupling:	50mm ball or 40mm eye
Jockey wheel:	Rubber tyred
Prop stands:	2 off clamp type at rear
Sign board:	2.5m x 2.5m aluminium micro prismatic yellow sign board. 4 x 340mm diameter halogen amber lights with automatic dimming. 1 x rotating beacon
Battery box:	Lockable steel with 2 x 90ah heavy duty batteries
Finish:	Galvanised chassis



King Highway Products Ltd
 Riverside, Market Harborough, Leicestershire, LE16 7PX
 Tel: 01858 467361 Fax: 01858 467161 email: sales@traiload.co.uk Web: www.traiload.co.uk

The company pursues a policy of continuous product development and reserves the right to make any changes to these specifications it considers necessary.