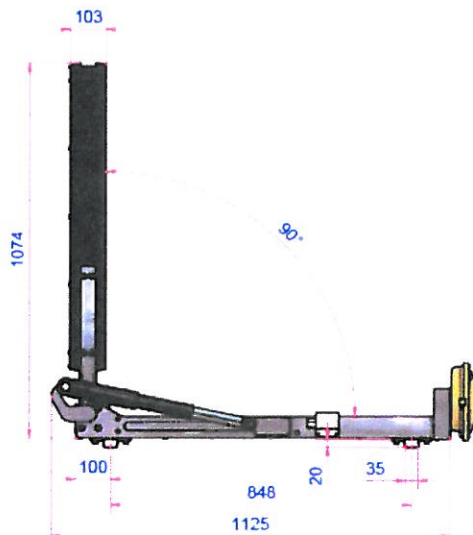
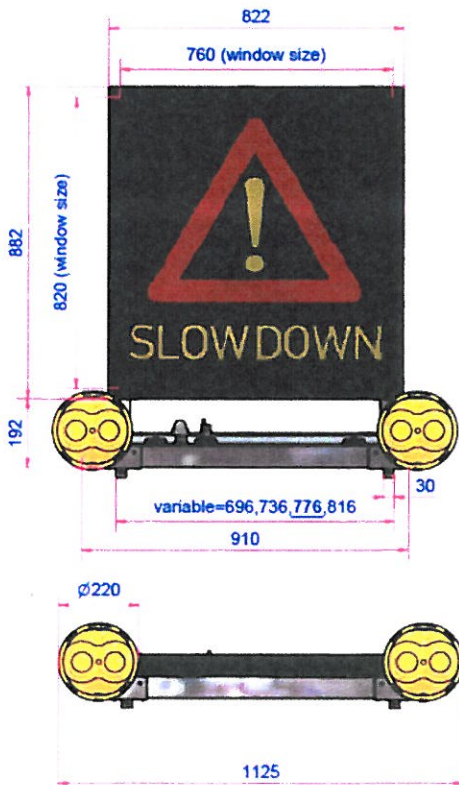


# WeNiPol Mobile Variable Message Sign



Housing	aluminium
Weight	approx 50Kg
Size of sign (mm)	600
Upper LED area	700 x 600
Lower LED area	700 x 100
Light source	15° LED
LED raster	15 mm
LED/m <sup>2</sup>	4 444
Light intensity (CD/m <sup>2</sup> )	
Red	14,400
White	18,299
Amber	12,700
Voltage	12/24 V
Power consumption with 100% brightness (depending on text and symbol)	2-3.6 A
Automatic brightness adaption (BS specification)	Continuous 8-100%. also manually adjustable 5-100%
Photometric values	According to European norm EN 12966 BS compliant
GPS sensor	Optional



**King Highway Products Ltd**  
 Riverside, Market Harborough, Leicestershire, LE16 7PX  
 Tel: 08707 475969 Fax: 08707 475970 email: [info@traiload.co.uk](mailto:info@traiload.co.uk) Web: [www.traiload.co.uk](http://www.traiload.co.uk)